



Pull-wire switch

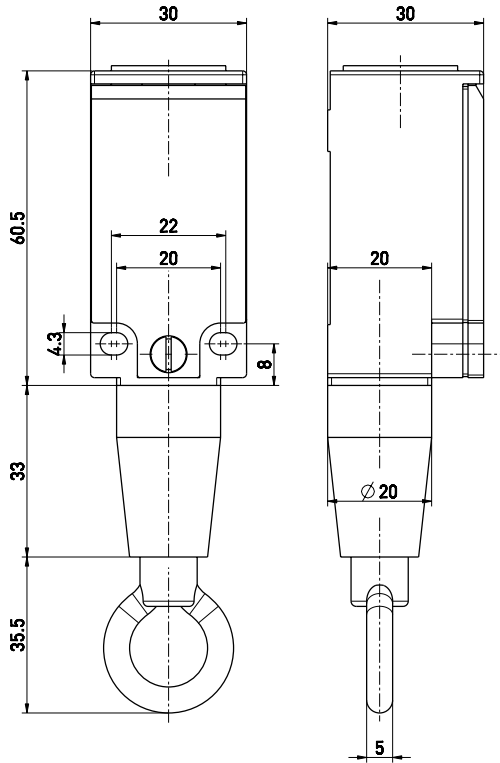
// ES 95 Z 10/1S Order no.: 95041001

Features/Options

- Thermoplastic enclosure
- Wall mounting
- Slow action: 2 contacts

- Horizontal slotted mounting holes
- Double insulated

Dimensions



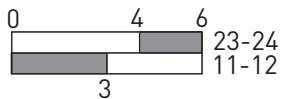
Technical data

Standards	IEC/EN 60947-5-1
Design	DIN EN 50 047
Enclosure	glass-fibre reinforced, shockproof thermoplastic, self-extinguishing UL 94-V0
Degree of protection	IP 67 to IEC/EN 60529
Contact material	silver
Switching elements	change-over contact with double break, galvanically separated contact bridges
Switching system	slow action, positive break NC contact to IEC 60947-5-1
Connection	screw terminals
Cable section	max. 2.5 mm ² (incl. conductor ferrules)
Cable entry	1 x M 20 x 1.5
U _{imp}	4 kV
U _i	400 V
I _{the}	6 A
Utilisation category	AC-15; DC-13
I _e /U _e	6 A/400 VAC; 0.25 A/230 VDC
Max. fuse rating	6 A gL/gG D-fuse
Mech. life	> 1 million operations
Switching frequency	1800/h
Ambient temperature	-20 °C ... +80 °C
Contact opening	2 x 3,5 mm
Actuating force	20 N
Features	pull-wire function
Approvals	
Weight	120g

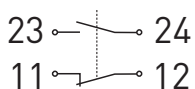
Switching diagram

Slow action

1 NC/1 NO contact



Contact diagram



Errors and omissions excepted.