



Emergency pull-wire switch

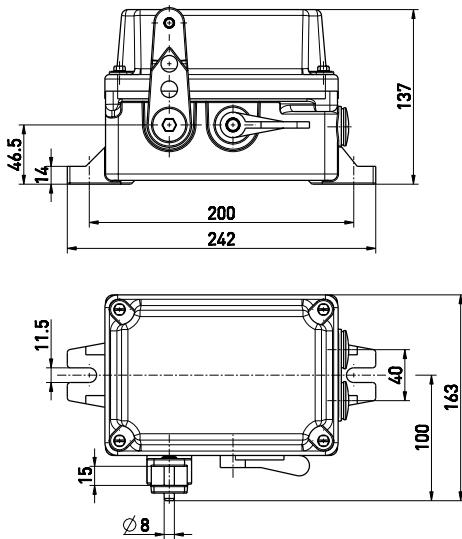
// ZS 90 S 2Ö/2S VD -40°C ... +85°C Extreme Order no.: 76430501

Features/Options

- Temperature-proof from -40 °C to +85 °C
- Thermoplastic enclosure
- 4 contacts

- Wire length up to 2 x 50 m
- Release by lever
- Wire pull and breakage detection

Dimensions

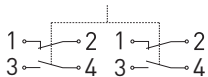


Technical data

Standards	EN ISO 13849-1; IEC/EN 60947-5-1; IEC/EN 60947-5-5; EN 418
Enclosure	Duroplast, UV resistant to EN ISO 4892
Cover	Duroplast, UV resistant to EN ISO 4892
Degree of protection	IP 67 to IEC/EN 60529
Contact material	silver
Switching elements	2 NC/2 NO contacts with double break
Switching system	snap action, positive break NC contacts ⊖
Connection	screw terminals
Cable section	max. 2.5 mm ² (incl. conductor ferrules)
Cable entry	2 x M25 x 1.5
B _{10d} (10% Load)	200.000
T _M	max. 20 years
U _{imp}	4 kV
U _i	400 V
I _{the}	10 A
Utilisation category	AC-15
I _e /U _e	1 A/230 VAC
Max. fuse rating	6 A gL/gG D fuse
Ambient temperature	-40 °C ... +85 °C
Mech. life	> 100.000 operations
Max. wire length	2 x 50 m
Features	wire pull and breakage function
Weight	2040g

Switching diagram

Snap action
2 NC/2 NO contact



Note:

At 4 m distance intermediate wire supports are required. Two compensation springs type RZ-130K must be installed, see accessories.

Errors and omissions excepted.