

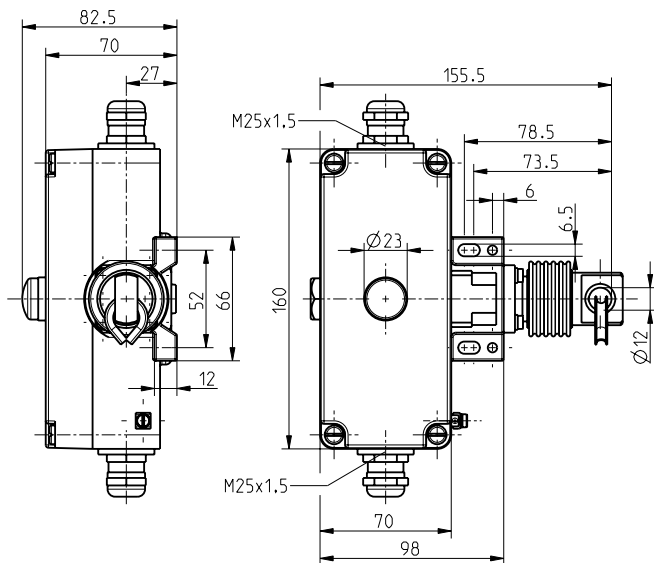


Ex emergency pull-wire switches // Ex ZS 75 40 WVD-de (Mining) Order no.: 75941912

Features/Options

- Device group I (Mining)
- Equipment category M2
- Metal enclosure
- 4 contacts

Dimensions



Technical data

Standards

IEC 60947-5-5 / EN 60947-5-5
PN-EN 60079-7:2008;
PN-EN 60079-1: 2010;
PN-EN 60079-0:2009;
PN - EN 60079-11:2010;
PN-EN 50303:2004

Enclosure

zinc die casting, enamel finish

Cover

zinc die casting, enamel finish

Switch insert

Ex 95

Degree of protection

IP 65 to IEC/EN 60529

Contact material

silver

Switching system

slow action, positive break NC
contact ⊖

Switching elements

4 NC

Connection

M3 screw clamps

Cable section

max. 1,5 mm²
(incl. conductor ferrules)

Cable entries

2 x M25 x 1.5

B_{10d} (10% load)

200.000

T_M

max. 20 years

U_{imp}

4 kV

U_i

250 V

I_{the}

6 A

I_e/U_e

6 A/250 VAC; 0.25 A/230 VDC

Utilisation category

AC-15, DC-13

Max. fuse rating

6 A gL/gG D-fuse

Ambient temperature

-20 °C ... +60 °C

Mechanical life

> 100.000 operations

Ex marking

⊕ I M2 Ex de I

Approvals

OBAC 10 ATEX 264X

Weight

2340g

Errors and omissions excepted.