



Belt-alignment switch

// ZS 75 SR 20/2S VD -40°C IP67 Extreme

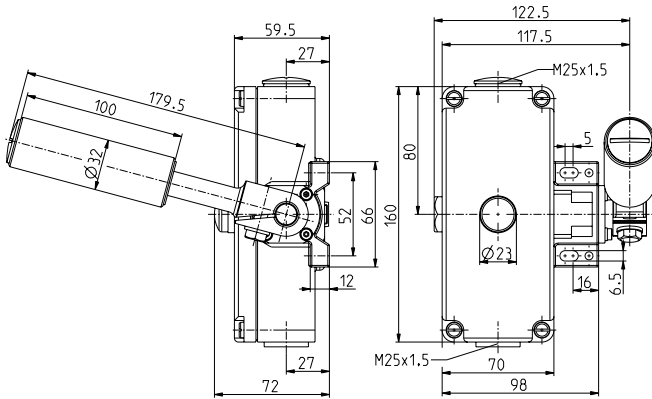
Order no.: 75431904

Features/Options

- Cold-resistant down to -40°C
- High degree of protection IP67
- Metal enclosure

- 4 contacts
- Release by push button (VD)
- Belt-alignment roller made of stainless steel 1.4104

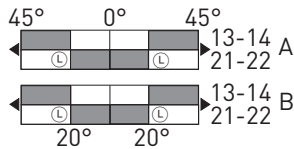
Dimensions



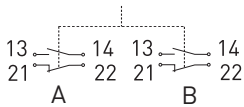
Switching diagram

Snap action

2 NC/2 NO contacts



Contact diagram



Technical data

Standards

IEC/EN 60947-5-1; EN ISO 13849-1

Enclosure

aluminium die-cast, enamel finish

Cover

aluminium die-cast, enamel finish

Degree of protection

IP 67 to IEC/EN 60529

Contact material

silver

Switching elements

2 NO/2 NC contacts

Switching system

snap action, positive break

Connection

NC contacts ⊖

Cable section

screw terminals

max. 2.5 mm²
(incl. conductor ferrules)

Cable entry

2 x M25 x 1.5

B_{10d} (10% Load)

200.000

T_M

max. 20 years

U_{imp}

6 kV

U_i

400 V

I_{the}

6 A

Utilisation category

AC-15

I_e/U_e

6 A/400 VAC

Max. fuse rating

6 A gL/gG D-fuse

Ambient temperature

-40°C ... +70°C

Mech. life

> 100.000 operations

Approvals



Weight

1650g

Errors and omissions excepted.