



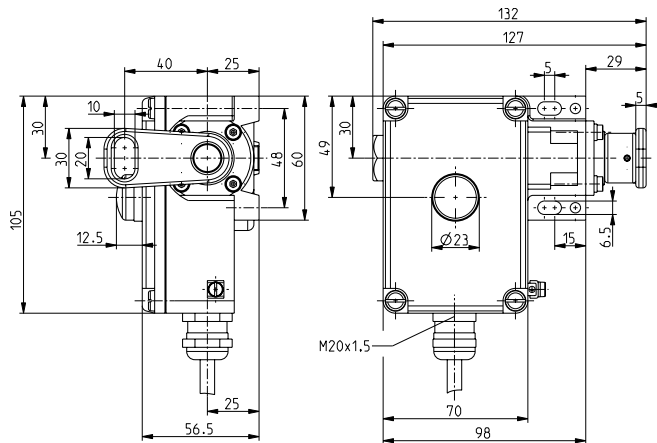
## Ex emergency pull-wire switches // Ex ZS 73 S 20 VD - 3m Order no.: 73530301

### Features/Options

- Ex zone 1 and 21
- Metal enclosure
- 2 contacts
- Wire length up to 2 x 100 m

- Release by push button (VD)
- Wire pull and breakage detection
- N.B.: Please state required approvals for Russia, China, Brazil and North America with your order!

### Dimensions



### Technical data

#### Standards

EN 60947-5-1, -5; EN 60079-0,  
EN 60079-1, EN 60079-31;  
EN ISO 13850; EN ISO 13849-1

#### Enclosure Cover

aluminium die-cast, enamel finish  
glass-fibre reinforced,  
shock-proof thermoplastic,  
ultramid

#### Switch insert

Ex 14

#### Degree of protection

IP 65 to IEC/EN 60529

#### Contact material

silver

#### Switching system

slow action, positive break

#### Switching elements

NC contacts ⊖

#### Connection

2 NC contacts with double break  
cable H05VV-F

#### Cable section

4 x 0.75 mm<sup>2</sup>  
(incl. conductor ferrules)

#### Cable length

3 m

#### B<sub>10d</sub> (10% Load)

200.000

#### T<sub>M</sub>

max. 20 years

#### U<sub>imp</sub>

4 kV

#### U<sub>i</sub>

250 V

#### I<sub>the</sub>

T6: 6 A, T5: 3 A

#### Utilisation category

AC-15, DC-13

#### I<sub>e</sub>/U<sub>e</sub>

6 A/250 VAC, 0.25 A/230 VDC

#### Max. fuse rating

6 A gG/gN fuse

#### Ambient temperature

T6: -20°C ... +65°C;  
T5: -20°C ... +90°C

#### Mechanical life

> 100.000 operations

#### Max. wire length

2 x 100 m

#### Features

wire pull and breakage detection

#### Ex marking

⊕ II 2G Ex d IIC T6/T5 Gb,

⊕ II 2D Ex tb IIIC

T80°C/T95°C Db IP65

IECEX Ex d IIC T6/T5 Gb,

Ex tb IIIC T80°C/T95°C Db IP65

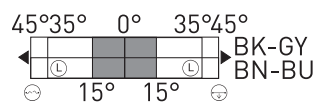
#### Approvals

PTB 11 ATEX 1003 X,

IECEX PTB 07.0034 X

### Switching diagram

#### Ex ZS 73 S 20 VD



Errors and omissions excepted.