



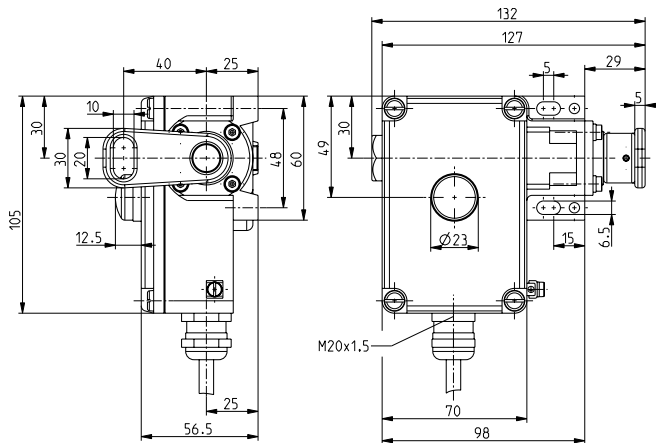
Ex emergency pull-wire switches // Ex ZS 73 S 10/1S VD - 3m Order no.: 73030301

Features/Options

- Ex zone 1 and 21
- Metal enclosure
- 2 contacts
- Wire length up to 2 x 100 m

- Release by push button (VD)
- Wire pull and breakage detection
- N.B.: Please state required approvals for Russia, China, Brazil and North America with your order!

Dimensions

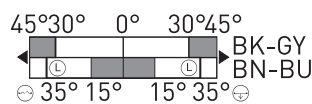


Technical data

Standards	EN 60947-5-1, -5; EN 60079-0, EN 60079-1, EN 60079-31; EN ISO 13850; EN ISO 13849-1
Enclosure	aluminium die-cast, enamel finish
Cover	glass-fibre reinforced, shock-proof thermoplastic, ultramid
Switch insert	Ex 14
Degree of protection	IP 65 to IEC/EN 60529
Contact material	silver
Switching system	slow action, positive break
	NC contacts ⊖
Switching elements	change-over contact with double break
Connection	cable H05VV-F
Cable section	4 x 0.75 mm ² (incl. conductor ferrules)
Cable length	3 m
B_{10d} (10% Load)	200.000
T_M	max. 20 years
U_{imp}	4 kV
U_i	250 V
I_{the}	T6: 6 A, T5: 3 A
Utilisation category	AC-15, DC-13
I_e/U_e	6 A/250 VAC, 0.25 A/230 VDC
Max. fuse rating	6 A gG/gN fuse
Ambient temperature	T6: -20°C ... +65°C; T5: -20°C ... +90°C
Mechanical life	> 100.000 operations
Max. wire length	2 x 100 m
Features	wire pull and breakage detection
Ex marking	⊕ II 2G Ex d IIC T6/T5 Gb, ⊕ II 2D Ex tb IIIC T80°C/T95°C Db IP65 IECEX Ex d IIC T6/T5 Gb, Ex tb IIIC T80°C/T95°C Db IP65
Approvals	PTB 11 ATEX 1003 X, IECEX PTB 07.0034 X

Switching diagram

Ex ZS 73 S 10/1S VD



Errors and omissions excepted.