



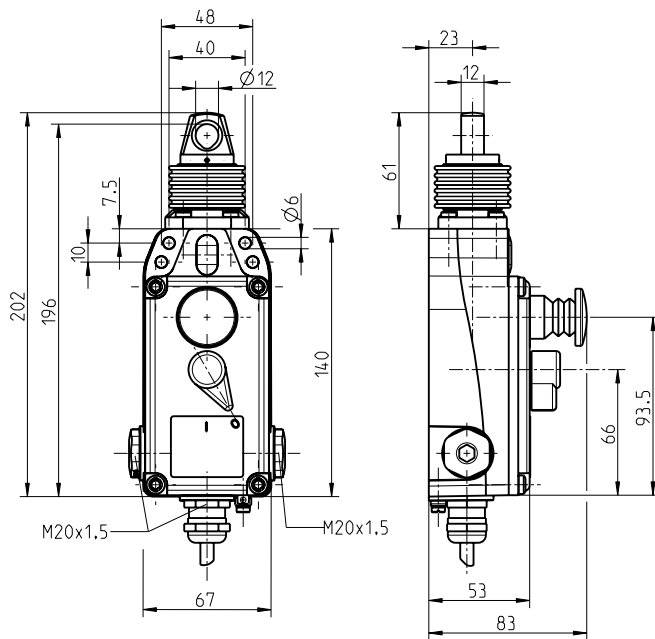
## Ex emergency pull-wire switches // Ex ZS 80 10/1S WVD - 3m Order no.: 72042301

### Features/Options

- Ex zone 1 and 21
- Metal enclosure
- 2 contacts
- Position indicator and integrated emergency-stop push button
- Wire length up to 100 m

- Pretensioning force 100 N
- Lever for release and position indication
- Watertight collar
- Wire pull and breakage detection
- N.B.: Please state required approvals for Russia, China, Brazil and North America with your order!

### Dimensions

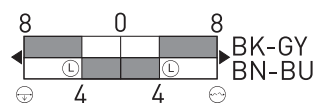


### Technical data

<b>Standards</b>	EN 60947-5-1, -5; EN 60079-0, EN 60079-1, EN 60079-31; EN ISO 13850; EN ISO 13849-1
<b>Enclosure Cover</b>	aluminium die-cast, enamel finish glass-fibre reinforced, shock-proof thermoplastic, ultramid
<b>Switch insert</b>	Ex 14
<b>Degree of protection</b>	IP 67 to IEC/EN 60259
<b>Contact material</b>	silver
<b>Switching system</b>	slow action, positive break
<b>Switching elements</b>	NC contacts ⊖ 1 NC/1 NO contact with double break
<b>Connection</b>	cable H05VV-F
<b>Cable section</b>	4 x 0.75 mm <sup>2</sup> (incl. conductor ferrules)
<b>Cable length</b>	3 m
<b>B<sub>10d</sub> (10% Load)</b>	200.000
<b>T<sub>M</sub></b>	max. 20 years
<b>U<sub>imp</sub></b>	4 kV
<b>U<sub>i</sub></b>	250 V
<b>I<sub>the</sub></b>	T6: 6 A, T5: 3 A
<b>Utilisation category</b>	AC-15, DC-13
<b>I<sub>e</sub>/U<sub>e</sub></b>	6 A/250 VAC, 0.25 A/230 VDC
<b>Max. fuse rating</b>	6 A gG/gN fuse
<b>Ambient temperature</b>	T6: -20°C ... +65°C; T5: -20°C ... +90°C
<b>Mechanical life</b>	> 100 000 operations
<b>Max. wire length</b>	100 m
<b>Features</b>	wire pull and breakage detection
<b>Ex marking</b>	⊕ II 2G Ex d IIC T6/T5 Gb, ⊕ II 2D Ex tb IIIC T80°C/T95°C Db IP65 IECEx Ex d IIC T6/T5 Gb, Ex tb IIIC T80°C/T95°C Db IP65
<b>Approvals</b>	PTB 11 ATEX 1003 X, IECEx PTB 07.0034 X

### Switching diagram

Slow action  
1 NC/1 NO contact



Errors and omissions excepted.

