



## Ex pull-wire switches

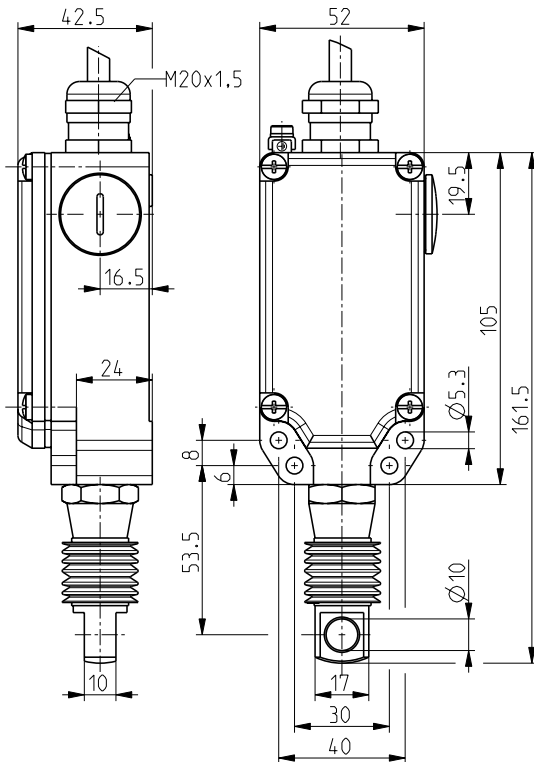
// Ex ZS 71 WZ 10/1S / 55N - 3m Order no.: 71042920

### Features/Options

- Ex zone 1 and 21
- Metal enclosure
- Wall mounting
- Slow action: 2 contacts

- Pull-wire function
- With watertight collar W to protect against the entry of foreign bodies
- N.B.: Please state required approvals for Russia, China, Brazil and North America with your order!

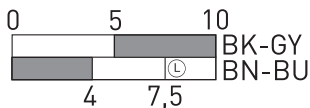
### Dimensions



### Switching diagram

#### Slow action

1 NC/1 NO contact



### Technical data

#### Standards

EN 60947-5-1, -5; EN 60079-0, EN 60079-1, EN 60079-31; EN ISO 13849-1

#### Enclosure

aluminium die-cast, enamel finish

#### Cover

thermoplastic, ultramid

#### Schalteinsatz

Ex 14

#### Degree of Protection

IP 65 to IEC/EN 60529

#### Contact material

silver

#### Switching system

slow action, positive break

#### Switching elements

NC contacts  $\ominus$

change-over contact with double break, galvanically separated contact bridges

#### Connection

Anschlussleitung H05VV-F

#### Cable section

4 x 0,75mm<sup>2</sup> (incl. conductor ferrules)

#### Leitungslänge

3 m

#### B<sub>10d</sub> (10 % load)

2 million

#### T<sub>M</sub>

max. 20 years

#### U<sub>imp</sub>

4 kV

#### U<sub>i</sub>

250 V

#### I<sub>the</sub>

T6: 6 A; T5: 3 A

#### Utilisation category

AC-15, DC-13

#### I<sub>e</sub>/U<sub>e</sub>

6 A/250 VAC, 0,25 A/230 VDC

#### Max. fuse rating

6 A gG/gN fuse

#### Ambient temperature

T6: -20°C ... +65°C;

T5: -20°C ... +95°C

#### Mechanical life

> 1 million operations

#### Switching frequency

1800/h

#### Features

pull-wire function

#### Ex marking

⊕ II 2G Ex d IIC T6/T5 Gb,

⊕ II 2D Ex tb IIIC

T80°C/T90°C Db IP65

IECEx Ex d IIC T6/T5 Gb,

Ex tb IIIC T80°C/T90°C Db IP65

#### Approvals

PTB 11 ATEX 1003 X,

IECEx PTB 07.0034 X



#### Weight

620g

Errors and omissions excepted.